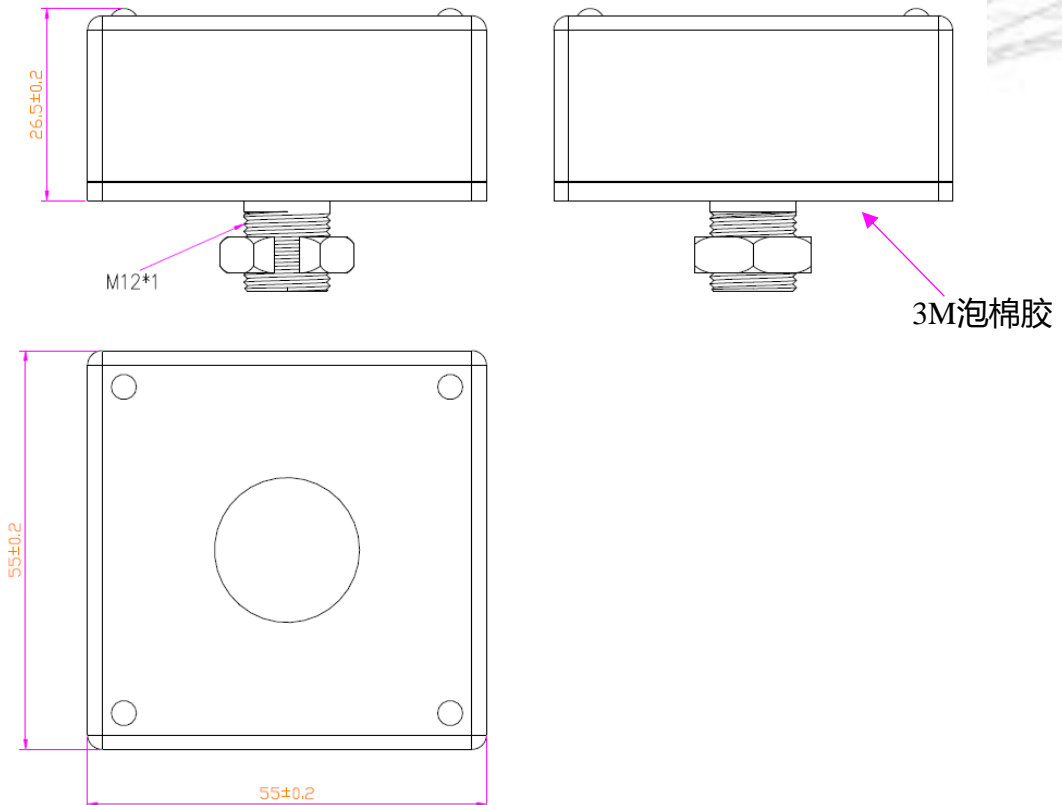


GNSS IP67防水GNSS高增益定位天线

AN_GNSS_401



机械尺寸



GNSS IP67防水GNSS高增益定位天线

规格

项目	规格	
天线	中心频率	1561.098~1602MHz GPS L1 GLONASS G1 GAILEO E1 BEIDOU B1
	极化	右旋圆极化
	增益	5dBic@PCB (最高点)
	V.S.W.R	< 1.5
	阻抗	50Ω
	轴比	3dB (最大值)
	尺寸	55 *55 *26.5mm
低噪声放大器	增益	28±2dB
	噪声因数	≤1.5dB
	电源电压	3~5V直流
	电流消耗	<20mA
	V.S.W.R	< 2.0
机械	电缆	LMR195 (3米) 尼龙铠甲
	连接器	SMA 公头 (可定制)
	天线罩材料	ASA (UL 黄卡等级)
	材料防紫外线与水浸渍等级	F1 级 (UL746C)
	安装方法	螺母+3M泡棉胶
环境	工作温度	-40°C~+85°C
	相对湿度	高达95%
	防水等级	IP67 (欧盟标准IP67 EN 60529:1991+A1:2000+A2:2013+AC:2019 中国国标GB/T4208-2017)
	振动	10至55Hz, 1.5mm振幅, 2小时
	环保	符合ROHS标准
	防紫外线	是



中国认可
国际互认
检测
TESTING
CNAS L9438

检测报告

TEST REPORT

产品名称: 401 Antenna Series : AN_GNSS_401
, AN_W_401 and AN_GSM_401

规格型号: 401 Antenna Series : AN_GNSS_401
, AN_W_401 and AN_GSM_401

委托方: 苏州迈斯维通信技术有限公司

检验类别: 委托检验

报告编号: CTB2212260270

检验依据: 国家标准 行业标准

企业标准 技术要求

深圳市环测威检测技术有限公司



Model PW-957(+)(f1)

File Number: E56070



COMPANY

CHI MEI CORPORATION

No 398 Sec 1 Zhongzheng Rd
Rende District
Tainan City, 717010 Taiwan

MODEL INFO

PW-957(+)(f1)

Acrylonitrile Styrene Acrylate (ASA) "KIBILAC", furnished as pellets

(f1) – Suitable for outdoor use with respect to exposure to Ultraviolet Light, Water Exposure and Immersion in accordance with UL 746C.

(+) – Indicate 0~0.5% acid scavengers.

FLAMMABILITY PROPERTIES	VALUE	TEST METHOD
Flammability		ANSI/UL 94
1.5 mm, Color: ALL	HB	
3.0 mm, Color: ALL	HB	
ISO/IEC FLAMMABILITY PROPERTIES	VALUE	TEST METHOD
Flammability		IEC 60695-11-10
1.5 mm, Color: ALL	HB75	
3.0 mm, Color: ALL	HB40	
ELECTRICAL PROPERTIES	VALUE	TEST METHOD
Hot-wire Ignition (HWI)		UL 746A
1.5 mm	PLC 4	
3.0 mm	PLC 3	
High Amp Arc Ignition (HAI)		UL 746A
1.5 mm	PLC 0	

3.0 mm	PLC 0	
Comparative Tracking Index (CTI)	PLC 0	UL 746A
High Voltage Arc Tracking Rate (HVTR)	PLC 3	
High Voltage, Low Current Arc Resistance	PLC 6	
THERMAL PROPERTIES	VALUE	TEST METHOD
Relative Thermal Index - Electrical Strength		UL 746B
1.5 mm	90 °C	
3.0 mm	90 °C	
Relative Thermal Index - Mechanical Impact		UL 746B
1.5 mm	90 °C	
3.0 mm	90 °C	
Relative Thermal Index - Mechanical Strength		UL 746B
1.5 mm	95 °C	
3.0 mm	95 °C	
PHYSICAL PROPERTIES	VALUE	TEST METHOD
UV Exposure & Water Immersion	f1	UL 746C

Report Date: 2006-08-31

The appearance of a company's name or product in this database does not in itself assure that products so identified have been manufactured under UL Solutions' Follow - Up Service. Only those products bearing the UL Mark should be considered to be Certified and covered under UL Solutions' Follow - Up Service. Always look for the Mark on the product.

UL Solutions permits the reproduction of the material contained in Product iQ subject to the following conditions: 1. The Guide Information, Assemblies, Constructions, Designs, Systems, and/or Certifications (files) must be presented in their entirety and in a non-misleading manner, without any manipulation of the data (or drawings). 2. The statement "Reprinted from Product iQ with permission from UL Solutions" must appear adjacent to the extracted material. In addition, the reprinted material must include a copyright notice in the following format: "©2024 UL LLC."