

# ADAPTERS, BETWEEN SERIES

Type N / 3.5mm, DC - 18 GHz, Precision

## SPECIFICATIONS:

Models: 5144, 5145, 5146, 5147

**RoHS**  
Compliant



### Electrical:

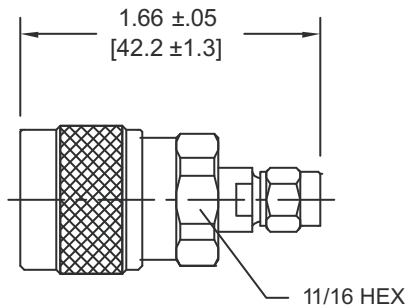
Frequency Range \_\_\_\_\_ DC - 18 GHz  
 VSWR \_\_\_\_\_ 1.12:1 Max.  
 Impedance \_\_\_\_\_ 50 Ohms  
 Operating Temp. Range \_\_\_\_\_ -65°C to +125°C

### Mechanical:

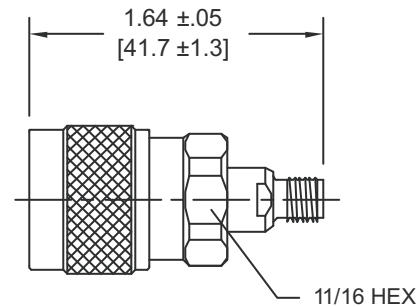
Type N Connectors \_\_\_\_\_ Passivated Stainless Steel  
 Mates with MIL-STD-348  
 3.5mm Connectors \_\_\_\_\_ Passivated Stainless Steel  
 Mates both Mechanically and Electrically with  
 SMA, 2.9mm and K\* Series Connectors  
 Conductors \_\_\_\_\_ Gold Plated Beryllium Copper

\* K is a Trademark of Anritsu Corp.

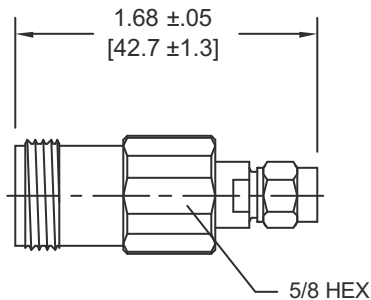
Model Number: **5144**  
 Type N Male / 3.5mm Male



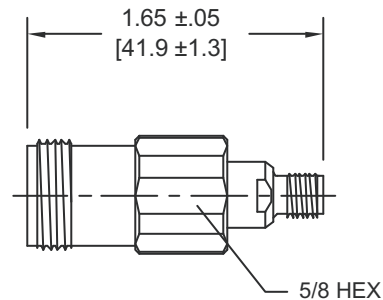
Model Number: **5145**  
 Type N Male / 3.5mm Female



Model Number: **5146**  
 Type N Female / 3.5mm Male



Model Number: **5147**  
 Type N Female / 3.5mm Female



Note: Dimensions in Brackets are Expressed in Millimeters and are for Reference Only.  
 Units that offer very low return loss (VSWR) are also available.

5144: REV A



Aeroflex / Inmet, Inc. • 300 Dino Drive, Ann Arbor, MI 48103 • U.S.A.  
 888-244-6638 or 734-426-5553 • FAX: 734-426-5557  
 www.aeroflex-inmet.com • inmet-sales@aeroflex.com