

# TERMINATIONS

Type N, up to 6.0 GHz, 100 Watts

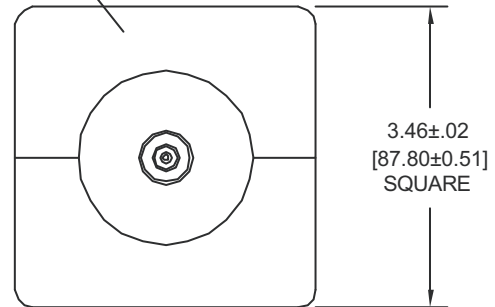
## SPECIFICATIONS:

Models: TNXXXM-100W & TNXXXF-100W

**RoHS**  
Compliant

<b>Electrical:</b>	
Frequency Range _____	DC - 6.0 GHz
Standard Freq. Values _____	2.5 & 6 GHz
VSWR	
DC - 1.5 GHz _____	1.20:1 Max.
1.5 - 2.5 GHz _____	1.30:1 Max.
2.5 - 6.0 GHz _____	1.40:1 Max.
Input Power _____	100 Watts Avg.
	<small>Derated Linearly to 20 Watts @ +125°C</small>
Peak Power _____	1 kW Max.
	<small>(5uSec Pulse, .05% Duty Cycle)</small>
Impedance _____	50 Ohms
Operating Temp Range _____	-55°C to +125°C
<b>Mechanical:</b>	
Type N Connectors _____	Passivated Stainless Steel
	<small>Mates with MIL-STD-348</small>
Conductors _____	Gold Plated Beryllium Copper
Housing _____	Anodized Aluminum

Custom Mtg. hole Config.  
may be Added to this  
Surface.



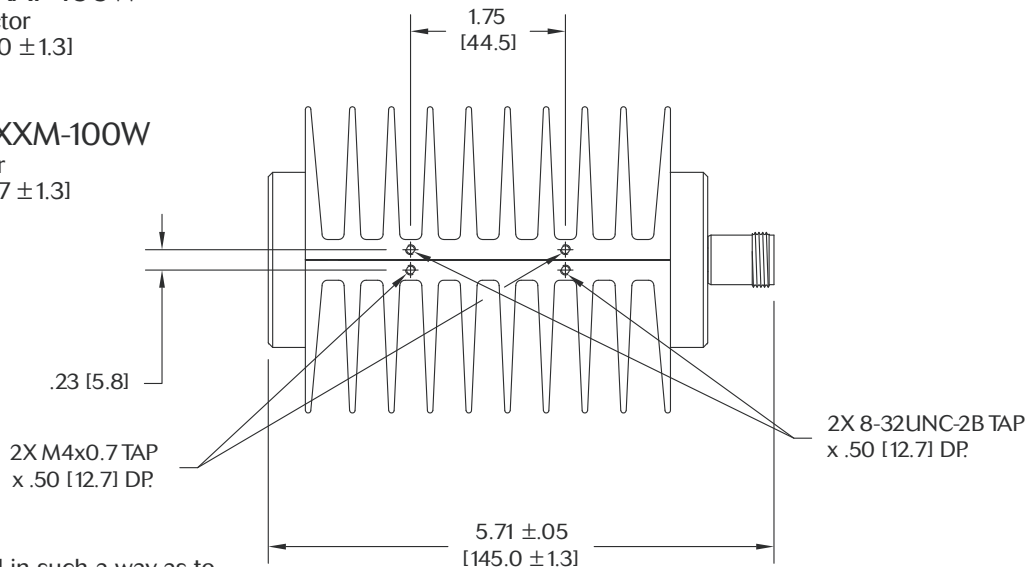
END VIEW  
TYPICAL

Model Number: TNXXXF-100W

Type N Female Connector  
Length: 5.71 ± 0.05 [145.0 ± 1.3]  
Pictured

Model Number: TNXXXM-100W

Type N Male Connector  
Length: 5.62 ± 0.05 [142.7 ± 1.3]



Units must be Mounted in such a way as to  
Allow for Free Air Flow Around Fins to Assure  
Performance

## HOW TO ORDER:

Model Number: **TNXXXY-100W**

Freq. Range	Connector Configuration
020 = DC - 2.5 GHz	F = Female
060 = DC - 6 GHz	M = Male

## Ordering Examples:

Model Number: **TN020M-100W**  
DC - 2.5 GHz, Type N Male CONN.

Model Number: **TN060F-100W**  
DC - 6 GHz, Type N Female CONN.

Note: Dimensions in Brackets are Expressed in Millimeters and are for Reference Only.  
Design specifications are subject to change without notice.  
Contact factory for technical specifications before purchasing or use.

TNXXXY-100W: REV F



Aeroflex / Inmet, Inc. • 300 Dino Drive, Ann Arbor, MI 48103 • U.S.A.  
888-244-6638 or 734-426-5553 • FAX: 734-426-5557  
www.aeroflex-inmet.com • inmet-sales@eroflex.com