

Bias Tee

Gwave®

0.01-4.2GHz,SMA Bias Tee, Rated To 1000
mA And 72 Volts DC

GBT001042-SMA

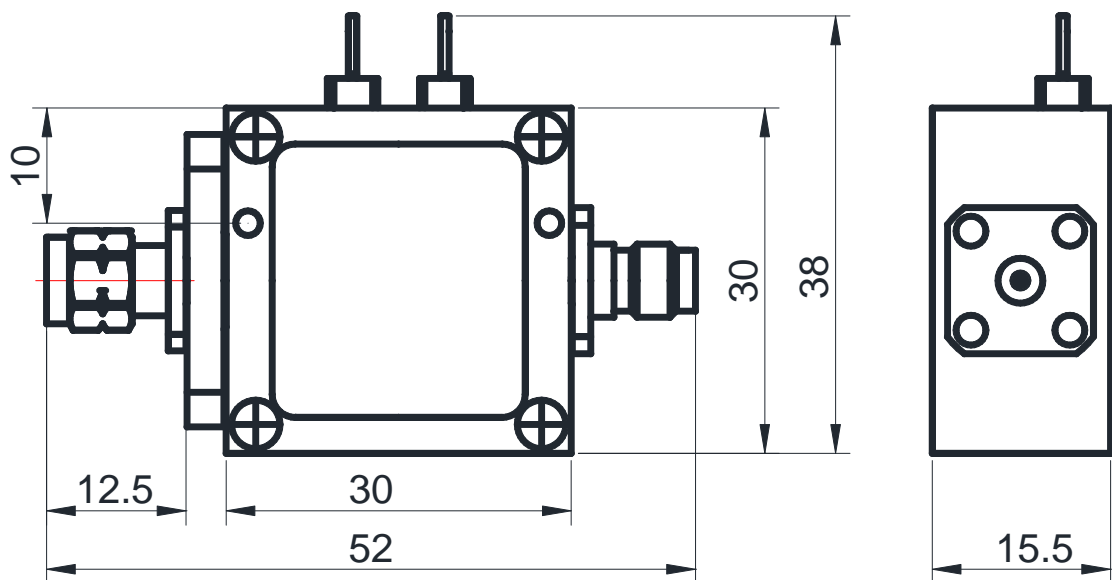
Electrical Specifications

Frequency Range(GHz)	0.01~4.2
VSWR	<1.25
Insertion Loss (dB)	<1.25
RF Port Connector Series	SMA
Operating DC Voltage(volts)	72
Operating DC Current(mA)	1000

Absolute Maximum Ratings

Source Voltage(volts)	+72
RF Input Power (W)	5
Operating Temperature(.c)	-40 ~ 65
Storage Temperature(.c)	-65~165

Outline Drawing



Notes

Weight :40g/pcs