

Low Noise Amplifier



1-18GHz LNA, 53dB Gain, 2.2dB NF
SMA-F

GWLNA-01001800-53G22

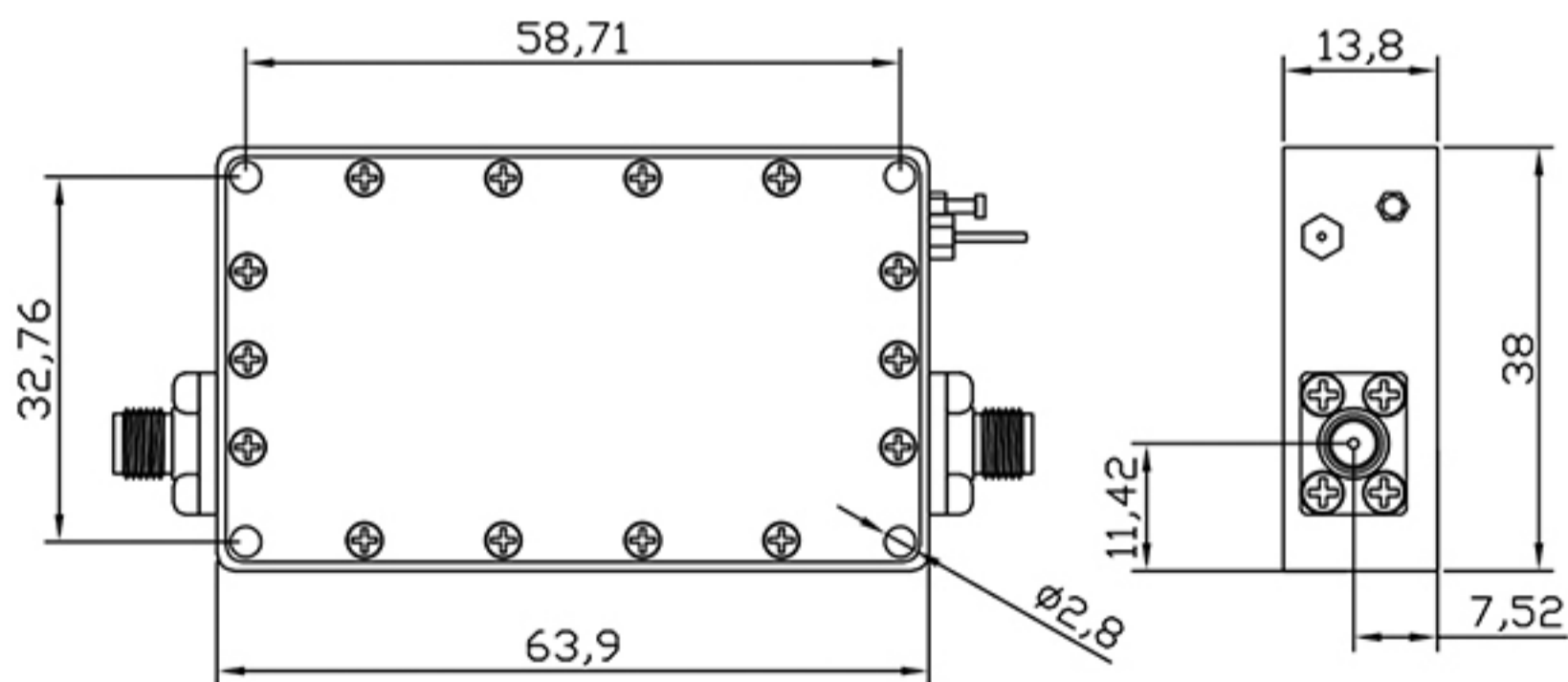
Electrical Specifications

Frequency Range (GHz)	1~18
Gain (dB)	53
Noise Figure (dB)	2.2
Gain Flatness (dB)	±3.0
P1dB (dBm)	16
VSWR-IN	2
VSWR-OUT	2
Characteristic Impedance (Ω)	50

Absolute Maximum Ratings

Power Supply Voltage (V)	+12V
Input Power (dBm)	-35
Operating Temperature ($^{\circ}\text{C}$)	-40~85
Storage Temperature ($^{\circ}\text{C}$)	-55~100

Outline Drawing



UNIT:mm

Notes